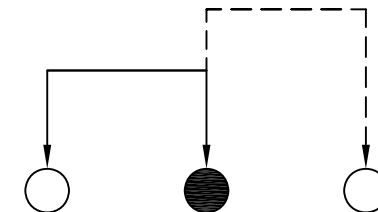
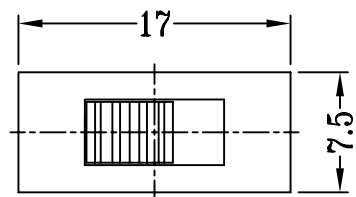
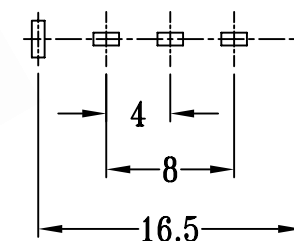
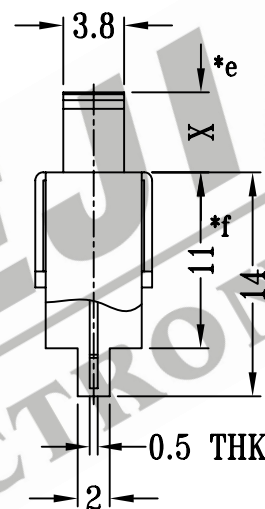
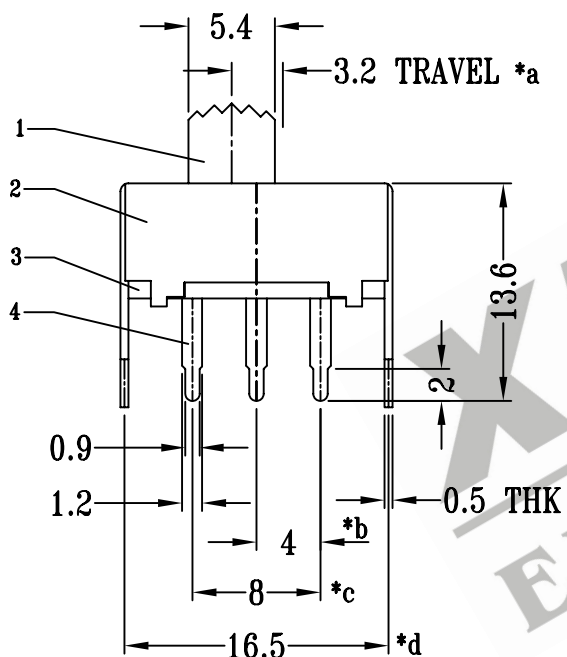




CAD FILE:



SCHEMATIC (NON-SHORTING)



P.C.B LAYOUT

注:带"*"表示关键尺寸(7个)

NO.	PARTS	MATERIALS	Q'TY	FINISH	TOLERANCE UNLESS SPECIFIED	SHENZHEN XIEJIA ELECTRONICS CO.,LTD.				
8						TITLE : VERTICAL SLIDE SWITCH MODEL: SS-12F04 ALL MATERIALS MUST BE COMPLIANT TO ROHS				
7										ISSUE
6	CONTACT CLIP	COPPER STRIP	1	Ag PLATED	WITHIN: 1.5±0.1mm OVER: 1.5±0.2mm	UNIT : mm		DRWG NO.: XJ-DR-SS12F04-00		
5	SPRING	STEEL WIRE	1	TEMPER		SCALE: 2 : 1		DWN.	ZHOUYU	2004-6-30
4	TERMINAL	BRASS STRIP	3	Ag PLATED OVER Ni PLATED				CHK'D	FANGYING	2004-6-30
3	BASE	PHENOLIC RESIN	1	BCACK				APPD.	KANGXINAN	2004-6-30
2	FRAME	STEEL STRIP	1	Ni PLATED						
1	KNOB	POM	1	BLACK						